



BY LASSEN



by lassen owns the rights to the designs of two of Denmark's greatest architects: Mogens Lassen and Flemming Lassen. The Lassen brothers were innovators in architectural modernism and produced numerous iconic designs throughout their lives. Our simple mission is to build upon the tradition of Mogens and Flemming Lassen to ensure that exceptional original and rediscovered designs continue to live on through new generations.

by lassen.
COPENHAGEN

MINGLE

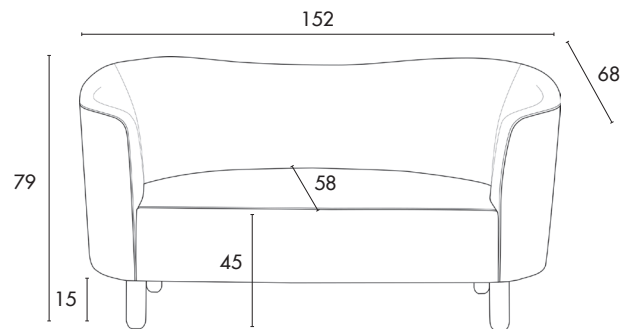


The Mingle sofa was designed in 1935 for the Cabinetmakers' Guild Exhibition by Flemming Lassen. He wanted to create a sofa made for conversation with a comfort that invited people to stay. Flemming Lassen took inspiration from both French elegance and modern Italian style, and transferred the trends and his own ideas to a small, upholstered sofa called Mingle.

DESIGN
Flemming Lassen 1935

MATERIAL
On request

COLOUR
On request



BY LASSEN
HOLBERGSGADE 20
1057 COPENHAGEN K
DENMARK

+45 3616 8000
INFO@BYLASSEN.COM