



BY LASSEN



by lassen owns the rights to the designs of two of Denmark's greatest architects: Mogens Lassen and Flemming Lassen. The Lassen brothers were innovators in architectural modernism and produced numerous iconic designs throughout their lives. Our simple mission is to build upon the tradition of Mogens and Flemming Lassen to ensure that exceptional original and rediscovered designs continue to live on through new generations.

by lassen.
COPENHAGEN

SAXE



Mogens Lassen designed the Saxe folding chair in 1955. The wish to create a distinctive, timeless and functional piece of furniture was fully expressed in Saxe and the chair is just as contemporary today as it was 60 years ago. As with all Mogens Lassen designs, nothing has been left to chance and Saxe is a prime example of function uniting with quality.



DESIGN
Mogens Lassen 1955

MATERIAL
Black stained ash/black leather,
smoked oak/brown leather, oak/natural leather

COLOUR



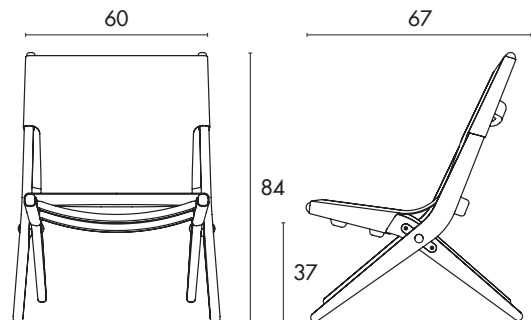
BLACK



BROWN



NATURAL



BY LASSEN
HOLBERGSGADE 20
1057 COPENHAGEN K
DENMARK

+45 3616 8000

INFO@BYLASSEN.COM