

# TURN DAYBED

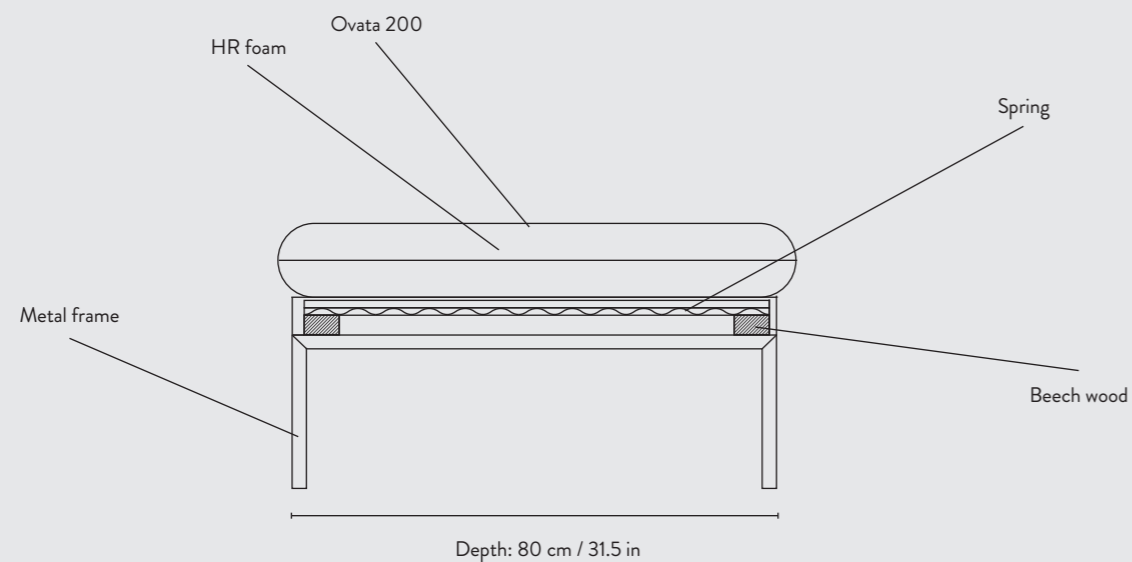
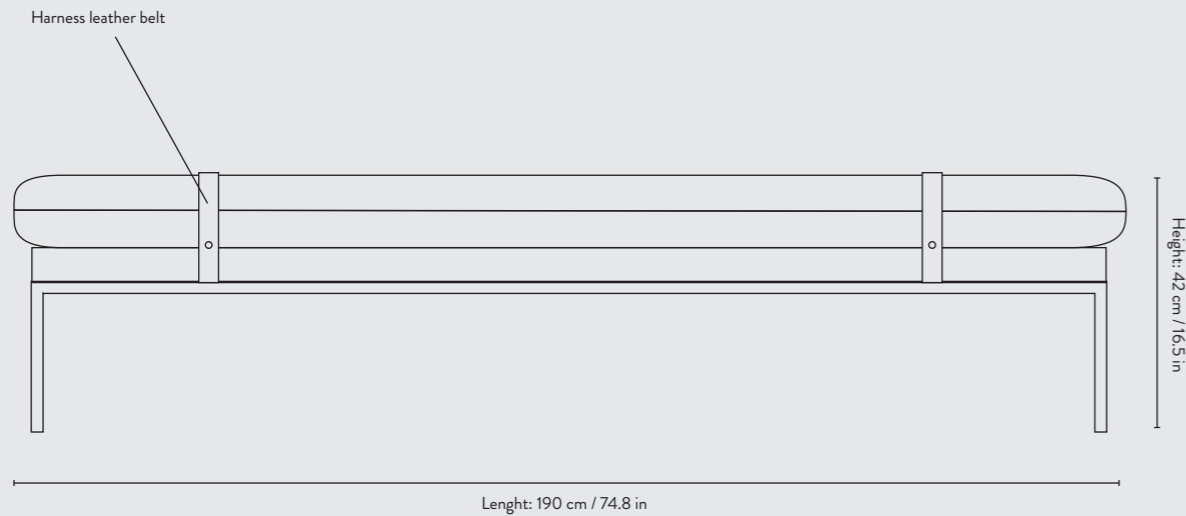
PRODUCT INFO



# TURN DAYBED

The strict horizontal lines, along with its slim metal legs in powder coated metal, give this daybed an elegant and light appearance. Fitted with two belts in harness leather as a cool and modern feature, which adds to the high quality feel, while holding the top cushion firmly in place.

The Turn daybed has a reversible, dual-coloured top cushion with a double stitching detail. Choose from several colour ways and four different fabrics to create your own personalized version. The colour and fabric of the base of the daybed will be identical to one of the sides of the top cushion. Open the two leather belts and turn around the top cushion to change the look depending on your mood or personal preference.



## PRODUCT INFO

**Product type:** Daybed for indoor use. For contract sales and contract use please contact us

**Country of origin:** Poland

**Dimensions:** Length: 190 cm/74.8 in  
Depth: 80 cm/ 31.5 in  
Height: 42 cm/16.5 in.  
Seat height: 42 cm/16.5 in

**Weight:** 36 kg

**Construction:** Frame:  
Black powder coated metal frame with felt protector feet  
Seat:  
Beech wood, No-Sag spring, HR foam and Ovata 200  
Leather belts:  
Natural harness leather belts

**Wool mix:** Composition: 67% wool, 26% nylon and 7% polyester  
Martindale: 104.000  
Light fastness: 4

**Cotton mix:** Composition: 65% cotton and 35% polyester  
Martindale: 25.000  
Light fastness: 5

**Uniform melange by Febrik:** Composition: 68% wool, 22% polyamide and 10% polyester  
Backing knitting: 2,0 mm flame retardent PU foam  
Martindale: 80.000  
Light fastness: 6

**Rime by Kvadrat:** Composition: 90% wool and 10% nylon  
Martindale: 100.000  
Light fastness: 5-6

**Colours:** Available in different colour combinations

**COM:** Must be approved by ferm LIVING to ensure suitability for upholstery

**Assembly:** Delivered fully assembled

**Testing:** Daybed fulfills the requirements in:

EN 1022:2005 Domestic furniture - seating - determination of stability

EN 16139:2013 Furniture - strength, durability and safety - requirements for non-domestic seating

## CARE INSTRUCTIONS

**General:** Regular cleaning ensures that the upholstery fabric looks nice and prolongs its life. For daily cleaning either brush off the dirt gently or vacuum the surface. Be careful not to damage it with sharp points. When a hole occurs, this might result in damaging the fabric. So always be careful with shoes, jeans and sharp objects. For further cleaning professional dry cleaning is needed. Remember to protect your furniture from direct sunlight and heat

**Important:** Please note that the cover on the seat cushion - even though it comes with a zipper - is not designed to be removable. So, do not take off the cover when cleaning

**Wool mix:** Professional dry cleaning

**Cotton mix:** Professional dry cleaning

**Uniform melange by Febrik:** Professional dry cleaning

**Rime by Kvadrat:** Professional dry cleaning

**Removal of stains:** When stains occur, act as quickly as possible to keep your fabric beautiful. Remove liquid stains by carefully dabbing with a clean lint free cloth, preferably white

Other stains can mostly be treated with soapy lukewarm water. Never use hot water as heat will set stains. We recommend using a PH neutral detergent. Rub the stain gently with a clean cloth and afterwards dab with a dry cloth to absorb moisture and soil. Edge marks can be avoided by soft, circular rubbing towards the centre of the stain. Or by blow-drying carefully on low speed

If the stain has not disappeared we recommend you to use other appropriate colourless detergents or solvents. But always test this on a discrete area of the fabric first. Never use un-concentrated detergents, bleach, ammonia or soap for hard surfaces

Please note that these are only recommendations. We can never guarantee complete stain removal. We always recommend contacting a professional cleaning company for additional advice regarding your stain. Please note that dark jeans may leave marks on the fabric and these marks can be difficult to get off

